



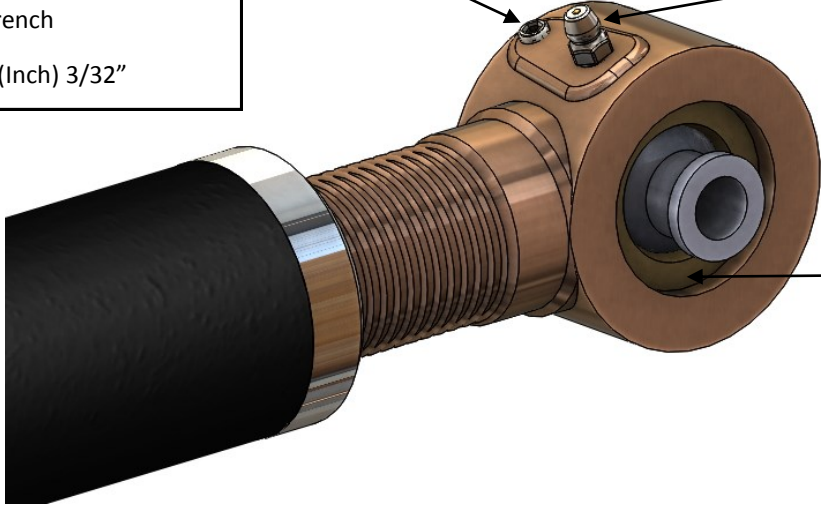
Rusty's Forged Flex End (2")

RC-SI211

Set Screw
Thread Size: #10-24 x 3/8"
Hex Size(Inch) 3/8"

Allen Wrench
Hex Size(Inch) 3/32"

Grease Zerk
Thread Size: 1/4-28
Hex Size(Inch) 3/8"



Replacement Race: [RCR11](#)

To adjust the preload on the Rusty's Forged Flex End 2" use a [\(RW-20\)](#) Rustys Flex Joint Wrench.

To adjust this preload simply tighten the preload nut to the point that the spherical ball cannot be moved by hand and then tighten to the next groove, line up the groove in the preload nut with the set screw and install the set screw. (Do not fully tighten the set screw) Be sure to grease the joints regularly .

WE SUGGEST ADJUSTING THE PRELOAD ON ALL JOINTS PRIOR TO INSTALLATION TO PREVENT PREMATURE WEAR.

